

Spill Containment

IBC Bunds



Product	Article	Page
Single IBC Bund	PEB01	2
Single IBC Bund with Dispenser	PEBDF01	3
Double IBC Bund	PEB02	4
Detachable Dispensing Bucket	PEBDDF/PEBDDF02	5
Single Drum Bund	PEDB01	6
Double Drum Bund	PEDB02	7
Euro Pallet Bund	PEEURO	8
Health and Safety	-	9

Spill Containment

Single IBC Bund without dispenser Article: PEB01

Single IBC Bund without dispenser

Designed for the long term safe bunding of IBCs and suitable for a vast range of chemicals, helping users to comply with current storage regulations.

Why use an IBC Bund Spill Pallet?

- Tough reinforced composite construction
- Made from PE – 100% recyclable
- Retains long term structural integrity

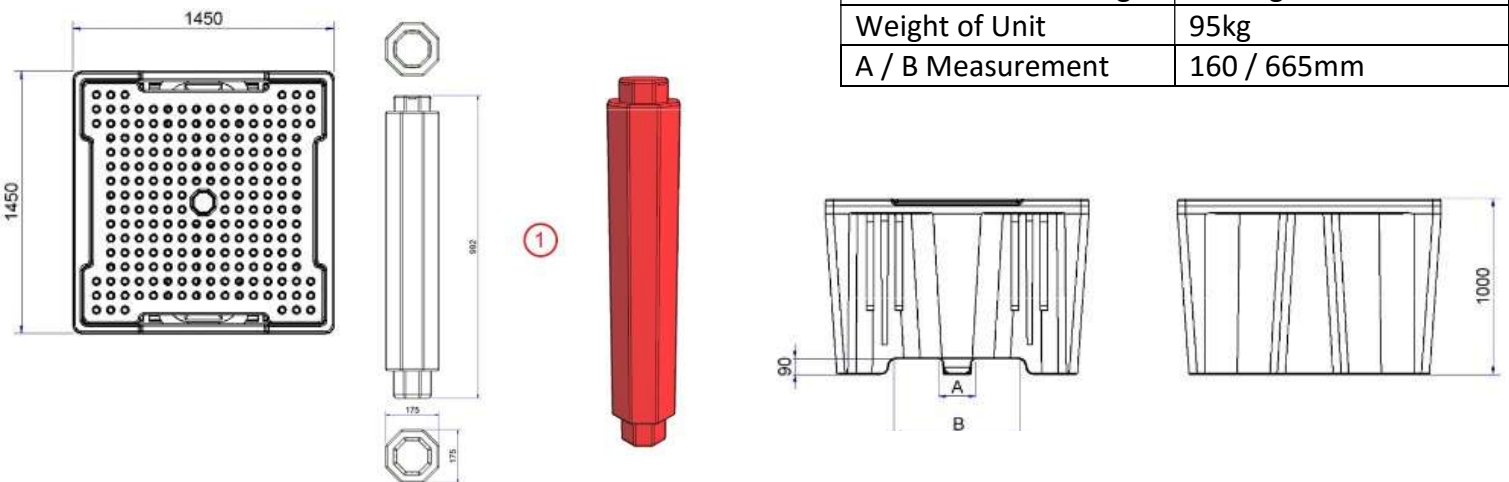
What are the benefits?

- Protects the workplace, environment and personnel
- Easy to maintain and clean
- Can be used with or without platform*
- Compatible with most forklifts and pallet trucks
- Accommodates Detachable Dispensing Bucket – Article: PEDDF01



*Central Support always to be used when platform in place

Dimensions	1000 x 1450 x 1450mm
Nominal Capacity	1100L
Actual Capacity	1120L
Maximum Load Weight	2000kg
Weight of Unit	95kg
A / B Measurement	160 / 665mm



Unit 21 Seax Court, Southfields Business Park, Basilton, Essex, SS15 6SL
 Tel: 01268 545127 Fax: 01268 545188 Email: Sales@Pensteel.co.uk

Spill Containment

Single IBC Bund with Dispensing Bucket **Article: PEBDF01**

Single IBC Bund with Dispensing Bucket

The single IBC bund with integrated dispensing bucket allowing users to decant liquids safely from an IBC.



Dispensing Bucket of 10 Litres

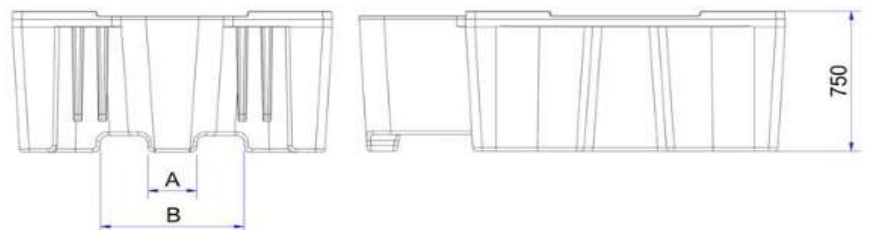
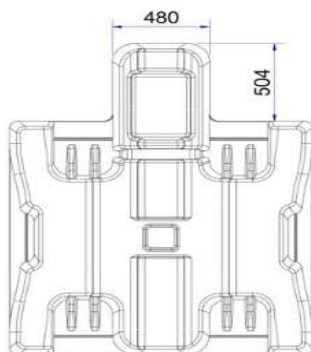
Why use a bund with dispensing bucket?

- Tough reinforced composite construction
- Dispensing bucket allows product to flow back into bund
- Easy to maintain and clean
- Made from 100% recyclable PE

What are the benefits?

- Protects the workplace and personnel
- Raised dispensing area with 10L mini sump
- Can be used with or without provided grate platform (Central support to be used whenever platform is used)
- Dispensing Facility allows for greater ease of use

Dimensions	750 x 2000 x 1490mm
Nominal Capacity	1100L
Actual Capacity	1120L
Maximum Load Weight	2000kg
Weight of Unit	112kg
A / B Measurement	230 / 670mm



Spill Containment

Double IBC Bund **Article: PEB02**

Double IBC Bund

Designed for the long term safe bunding of IBCs. Suitable for a vast range of chemicals. The Double IBC Bund helps users comply with current storage regulations for two IBCs at the same time.

Why use a Double IBC Bund?

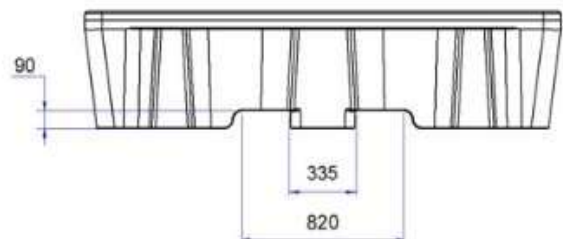
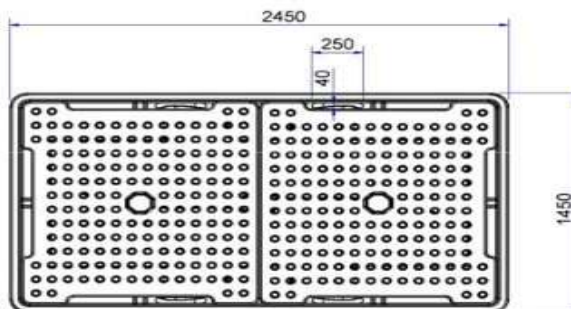
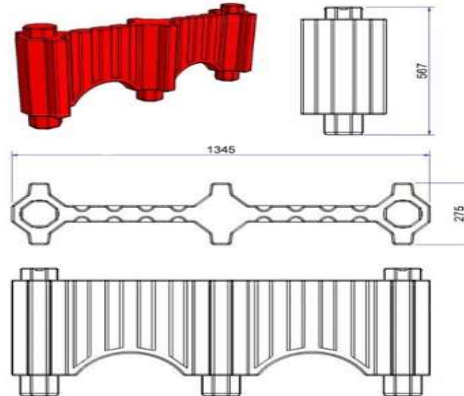
- Solid construction
- Made from PE – 100% Recyclable
- Platform is always to be used
- Compatible with most forklifts and pallet trucks



Dimensions	575 x 2450 x 1450mm
Nominal Capacity	1100L
Actual Capacity	1130L
Maximum Load Weight	3000kg
Weight of Unit	119kg
A / B Measurement	N/A

Benefits of using a Double IBC Bund?

- Cost effective way of bunding two IBCs
- Accommodates Detachable Dispensing Bucket – Article: PEDDF02
- Easy to maintain and clean



Unit 21 Seax Court, Southfields Business Park, Basilton, Essex, SS15 6SL
 Tel: 01268 545127 Fax: 01268 545188 Email: Sales@Pensteel.co.uk

Spill Containment

Detachable Dispensing Bucket **Article: PEDDF01/PEDDF02**

Detachable Dispensing Bucket

The Detachable Dispensing Bucket is for users who need a dispensing facility, but find space is limited. Available in two sizes for the single and double bunds. Made from 100% recyclable PE, the bucket comes in two sizes for the single and double bunds.



Why use a Detachable Dispensing Bucket?

- Overflows back into the IBC Bund
- Easy to attach

What are the benefits of a Detachable Dispensing Bucket?

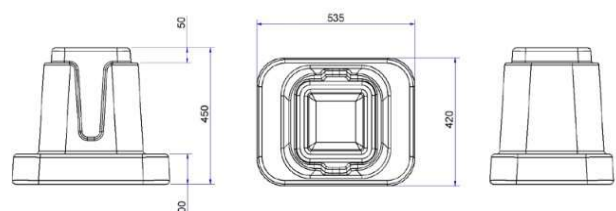
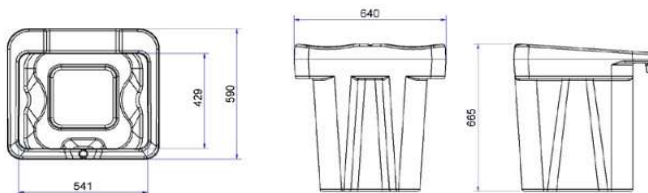
- One can be used with multiple bunds
- Space saving when not in use

PEDDF – For Single IBC Bunds

PEDDF02 – For Double IBC Bunds

Dimensions	1065 x 640 x 590mm
Nominal Capacity	100L
Actual Capacity	110L
Maximum Load Weight	N/A
Weight of Unit	13kg
A / B Measurement	N/A

Dimensions	665 x 640 x 590mm
Nominal Capacity	100L
Actual Capacity	110L
Maximum Load Weight	N/A
Weight of Unit	8kg
A / B Measurement	N/A



PEDDF01 comes in two parts and must be used together when using a single IBC bund

Unit 21 Seax Court, Southfields Business Park, Basilton, Essex, SS15 6SL
 Tel: 01268 545127 Fax: 01268 545188 Email: Sales@Pensteel.co.uk

Edition: August 2016

Spill Containment

Single Drum Bund Article: PEDB01

Drum Bund for 1x 220L Drum

Designed for the long term safe bunding of drums. Suitable for a wide range of chemicals allowing

Why use a Single Drum Bund?

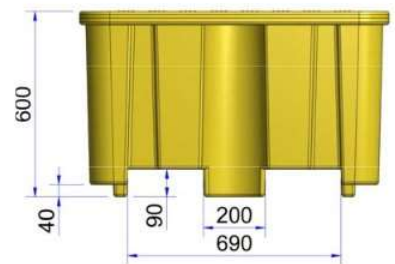
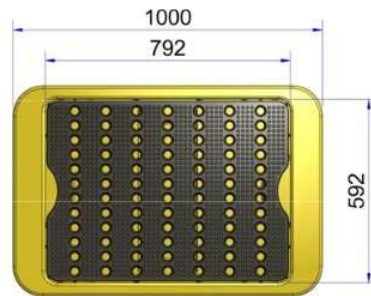
- Made from PE – 100% recyclable
- Broad Range of chemical compatibility
- For use outdoors or in heavy industrial areas

What are the benefits?

- Removable platform
- Compatible with most forklifts and pallet trucks
- Lightweight and easy to handle



Dimensions	600 x 1000 x 680mm
Nominal Capacity	230L
Actual Capacity	240L
Maximum Load Weight	400kg
Weight of Unit	19.5kg
A / B Measurement	N/A



Spill Containment

Double Drum Bund **Article: PEDB02**

Drum Bund for 2x 220L Drums

Designed for the long term safe bunding of drums.
Suitable for a vast range of chemicals, allowing users to comply with current regulations

Why use a Double Drum Bund?

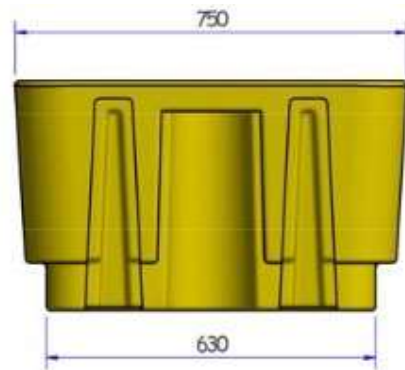
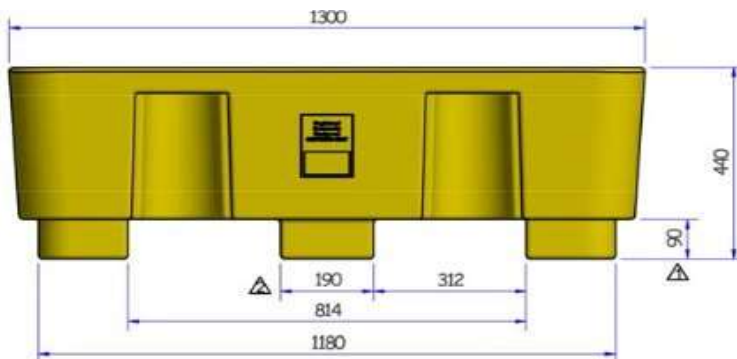
- 100% recyclable – Made from PE
- Comes with removable grating
- Space for two drums to be stored together

What are the benefits?

- Compatible with most forklifts and pallet trucks
- Cost effective
- Designed for outdoor and warehouse use



Dimensions	440 x 1300 x 750mm
Nominal Capacity	250L
Actual Capacity	275L
Maximum Load Weight	650kg
Weight of Unit	20.5kg
A / B Measurement	N/A



Euro Sump Bund for 2x 220L Drums or 1x 640L IBC

Designed for the long term safe bunding of drums and IBCs. Suitable for a vast range of oils and chemicals. The Euro Sump is perfect for users who deal with both small IBCs and Drums on a regular basis.

Why use a Euro Sump?

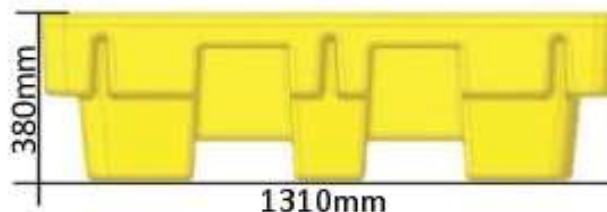
- Made from PE – 100% Recyclable
- Low sump for ideal working height
- Can be used with or without provided grid platform

What are the benefits?

- Protects the workplace, environment and personnel
- Stackable for easy transport and storage
- Tough reinforced composite construction



Dimensions	380 x 1310 x 910mm
Nominal Capacity	230L
Actual Capacity	250L
Maximum Load Weight	650kg
Weight of Unit	17kg
A / B Measurement	N/A





Important User Information

The IBC and Drum bunds will give many years of service by simply following the guidelines stated below.

Siting the Bund

The IBC Bund should be sited on a flat level surface, swept clean of stones and any other objects. A bed of soft sand can be used if the site is uneven. Bunds with their own integral forklift facility should be sited on a flat and level surface.

Loading the Bund

Forklift users should be instructed to lower the IBC unit as carefully and as level as possible on the bund. Avoid lowering onto elevated surfaces, the forks should be withdrawn free of snagging the IBC, pallet or bund.

Storage

Thoroughly clean and store bunds on a flat, even surface.

Spillages

In the event of a spillage, clean-ups should occur immediately. All liquid and residue should be cleaned, but only once a material safety data sheet has been examined, under the supervision of a safety officer or responsible individual.

Use of the Bund

Never move a bund whilst accommodating an IBC, safe and sensible handling should take place at all times. Do not overfill the container, leave the IBC unsupervised whilst filling, or fill the IBC without the corresponding safety clothing. A filled IBC should not be removed from the bund before the valve is closed and checked.

Moving the Bund

The Bund can be lifted quite comfortably by two persons. It is recommended that when moving the location of the bund, it is moved by forklift. If relocating, please refer to 'Siting the IBC' above.

Materials

All Bunds and Spill Trays in this brochure are made from fully recyclable Polyethylene and are compliant with current EU Bund regulations.